

**M12 MALE 0°**

PUR 12x0.25 GRAY, 1.5m

Male straight

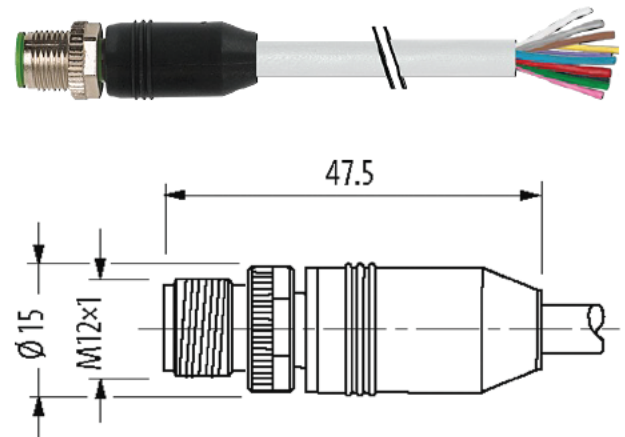
M12, 12-pole

Art-No. 7005 - M12 L-te - (plastic hexagonal screw) on request  
with cable sleeves

Plastic housings with good resistance against chemicals and oils.

The resistance to aggressive media should be individually tested for your application. Further details on request.

Further cable lengths on request.

**[Link to Product](#)****Illustration**

Product may differ from image

**Approvals**

cCSAus

\* on only for products with UL/CSA approved cable

**Form**

Form 900

**General data**

Standards	DN EN 6 076 2 0 (M 2)
Pollution Degree	3
Temperature range	25 +85 °C depending on cable quality

**Cables**

No./diameter of wires	2x 0.25 mm <sup>2</sup>
Wire isolation	PP (br bl wh gn pk ye bk gr rd vi grpk rdbl)
C track properties	3 Mio
Material (jacket)	PUR (UL/CSA)
Outer Ø	6.9 mm ±5%
Bend radius (moving)	5x outer Ø
Temperature range (fixed)	40 +80 °C
Temperature range (mobile)	20 +80 °C
Cable identification	30
Approval (cable)	UL (AWM Style 20233/ 0978) CSA approbation; CE

Cable weight [g/m]	69 30
Material (wire)	Cu wire bare
Resistor (core)	max 76 Ω/km (20 °C)
Single wire Ø (core)	0 mm
Construction (core)	32× 0 mm (multi strand wire class 6)
Diameter (core)	2× 0 25 mm <sup>2</sup>
AWG	similar to AWG 24
Material (wire isolation)	PP
Material property (wire isolation)	CFC halogen cadmium silicone and lead free
Shore hardness (wire isolation)	50 5 D
Wire Ø incl isolation	25 mm 5%
Color/numbering of wires	br rd gr bk ye pk gn wh bl rdbl grpk vi
Stranding combination	Twisted wires rdbl grpk and vi over it all other wires are twisted
Shield	no
Material (jacket)	PUR
Shore hardness (jacket)	85 5 A
Outer Ø (jacket)	6 9 mm 5%
Color (jacket)	gray
chemical resistance	good resistance to oil gasoline and chemicals (VDE 0472 Teil 803 Test B)
Nominal voltage	300 V
Test voltage	500 V
Current load capacity	to D N VDE 0298 4
Temperature range (fixed)	40 +80 °C
Temperature range (mobile)	20 +80 °C
Bend radius (fixed)	0× outer Ø
Bend radius (moving)	5× outer Ø
No of bending cycles (C track)	max 3 Mio (25 °C)
Traversing distance (C track)	max 5 m (horizontal)
Travel speed (C track)	max 2 m/s
Acceleration (C track)	max 0 m/s <sup>2</sup>
Jacket Color	gray

#### Technical Data

Operating voltage	max 30 V AC/DC
Rated surge voltage	0 8 kV
Operating current per contact	max 5 A
Material group	EC 60664 category
Coding	A coded
Locking of ports	Screw thread (M 2× mm) recommended torque 0 6 Nm self securing
Compression gland	M 2 (SW 3)
Protection	P65 P66K P67 inserted and tightened (EN 60529)
Locking material	Zinc die casting nickel plated
Material	PUR
suitable for corrugated tube (internal Ø)	without

#### Commercial data

country of origin	DE
customs tariff number	85444290
EAN	404887929293
eClass	272792 8

Packaging unit

Sketch

1	■	brown
2	■	blue
3	■	white
4	■	green
5	■	pink
6	■	yellow
7	■	black
8	■	gray
9	■	red
10	■	violet
11	■	gray/pink
12	■	red/blue

Product image